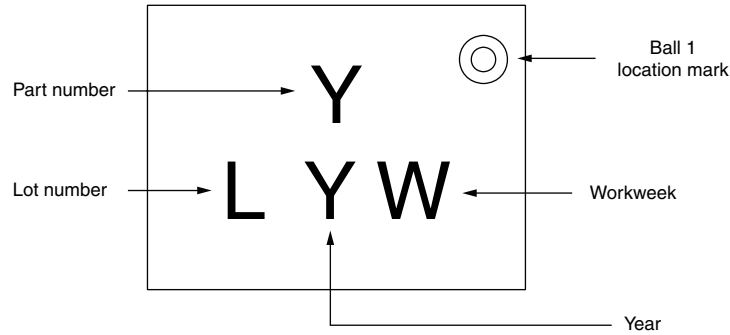


## FlipKY® 0.5 A/0.75 A



PART NUMBER	MARKING
FCSP0530TR	D
FCSP0530ETR	C
FCSP05H40TR	F
FCSP05H40ETR	E
FCSP0730TR	Y
FCSP07H40TR	W

TABLE 1							
W = (1 TO 26) IF PRECEDED BY LAST DIGIT OF CALENDAR YEAR				W = (27 TO 52) IF PRECEDED BY LETTER			
YEAR	Y	W	CODE	YEAR	Y	W	CODE
2001	1	01	A	2001	A	27	A
2002	2	02	B	2002	B	28	B
2003	3	03	C	2003	C	29	C
2004	4	04	D	2004	D	30	D
2005	5	↓	↓	2005	E	↓	↓
2006	6			2006	F		
2007	7			2007	G		
2008	8			2008	H		
2009	9			2009	J		
2010	0	26	Z	2010	K	52	Z

**Notes**

- Example:  
 YW = 9632 = FF  
 YW = 9603 = 6C
- L = Last digit of Vishay HPP system (SPN)